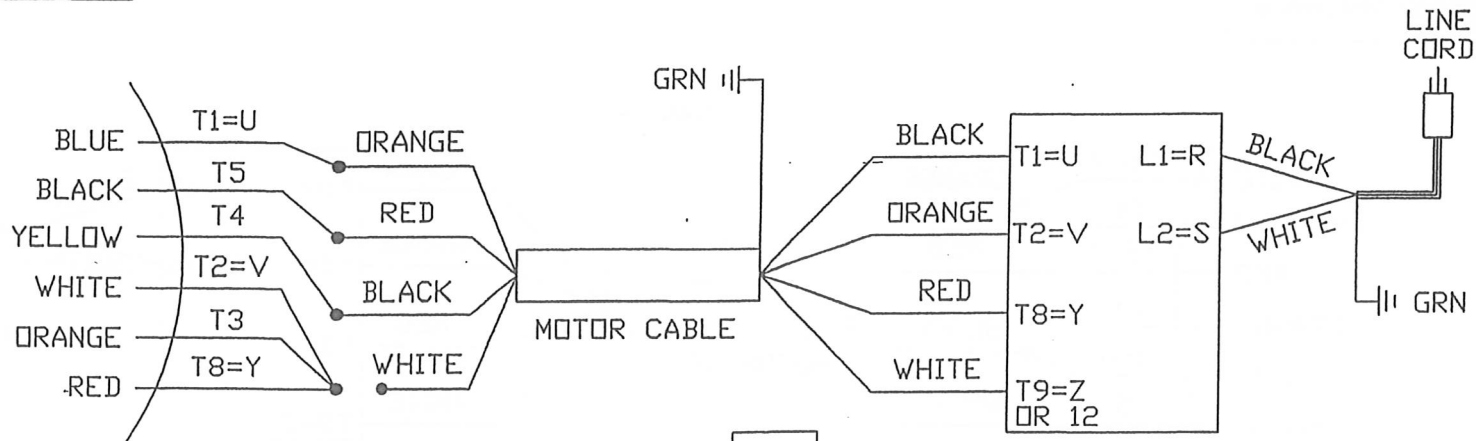


WEG OR TECH TOP MOTOR 220 HIGH VOLTAGE CONNECTION

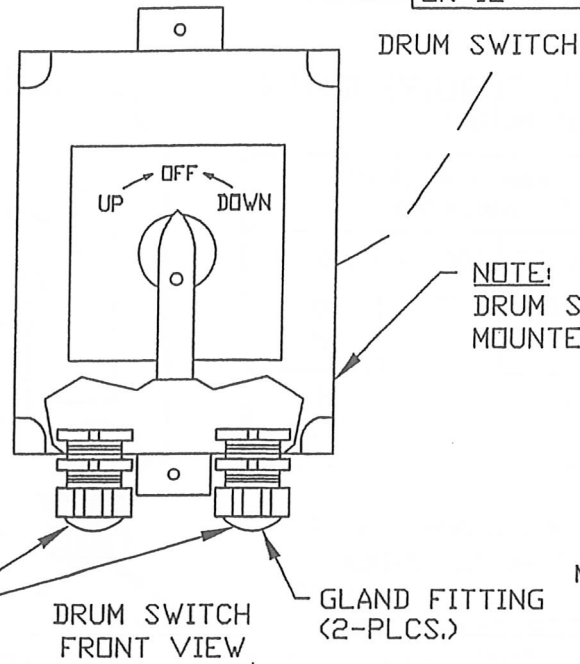
DANGER
HAZARDOUS VOLTAGE,
WILL CAUSE DEATH OR SERIOUS INJURY.
TO AVOID ELECTRICAL SHOCK OR BURN,
TURN OFF MAIN AND CONTROL VOLTAGES
BEFORE PERFORMING INSTALLATION OR
MAINTENANCE



MOTOR WIRING SIZE REQUIREMENTS
(SINGLE PHASE MOTOR)

HP	VOLTAGE	MIN. WIRE GAGE FOR BRANCH CIRCUITS INDICATED			
		0-50 FT.	100 FT.	200 FT.	500 FT.
3/4	230	14	12	10	6
	115	12	8	6	2
1 OR 1-1/2	230	14	10	8	4
	115	10	8	6	-

NOTE: ALL WIRING CONNECTIONS
TO BE ATTACHED UNDER
SWITCH BOX TO ELIMINATE
ANY WATER ENTRY THRU
GLAND FITTING



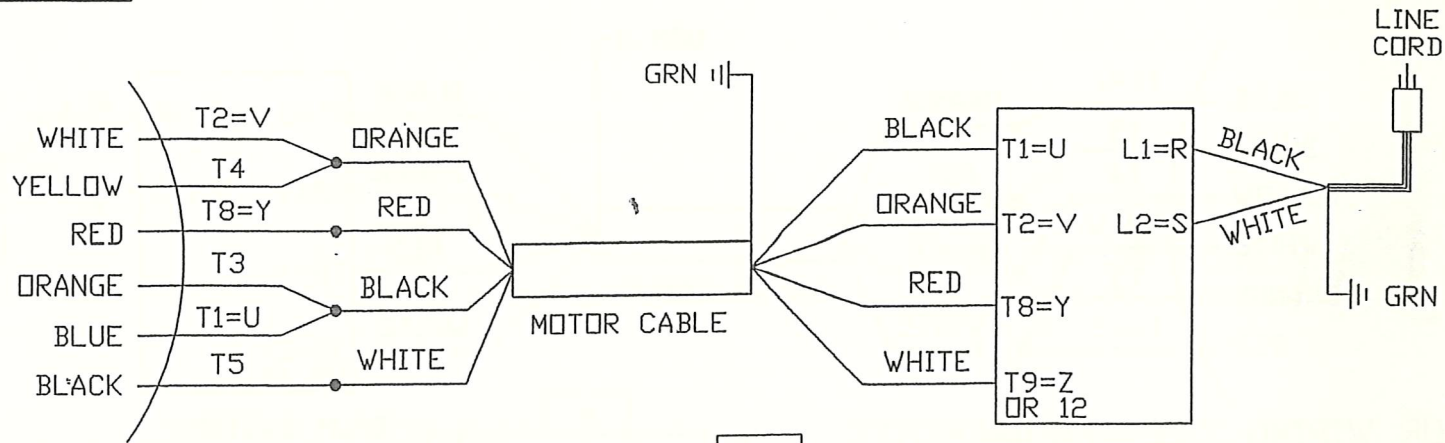
NOTE:
DRUM SWITCH TO BE
MOUNTED AS SHOWN

American
Power
Hoist®
MFG. OF BOAT LIFT PRODUCTS
TOLL FREE # 866-876-0092
AMERICANPOWERHOIST.COM
REVISION A (3-14-2019)
REVISION B (11-3-2022)

DANGER

HAZARDOUS VOLTAGE.
WILL CAUSE DEATH OR SERIOUS INJURY.
TO AVOID ELECTRICAL SHOCK OR BURN,
TURN OFF MAIN AND CONTROL VOLTAGES
BEFORE PERFORMING INSTALLATION OR
MAINTENANCE

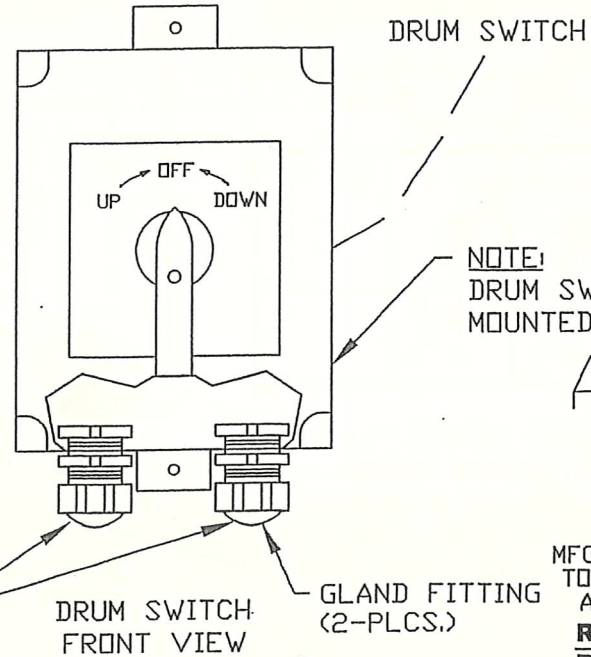
WEG OR TECH TOP MOTOR 110 LOW VOLTAGE CONNECTION



MOTOR WIRING SIZE REQUIREMENTS (SINGLE PHASE MOTOR)

HP	VOLTAGE	MIN. WIRE GAGE FOR BRANCH CIRCUITS INDICATED			
		0-50 FT.	100 FT.	200 FT.	500 FT.
3/4	230	14	12	10	6
	115	12	8	6	2
1 OR 1-1/2	230	14	10	8	4
	115	10	8	6	-

NOTE: ALL WIRING CONNECTIONS TO BE ATTACHED UNDER SWITCH BOX TO ELIMINATE ANY WATER ENTRY THRU GLAND FITTING



NOTE: DRUM SWITCH TO BE MOUNTED AS SHOWN

American
Power
Moist®

MFG. OF BOAT LIFT PRODUCTS
TOLL FREE #: 866-876-0092
AMERICANPOWERHOIST.COM

REVISION A (3-14-2019)
REVISION B (11-2-2022)